

## Miracle Series CMM-Representative of full automatic CMM

## Miracle series CMM- Most accurate CMM design available

SPECIFICATIONS

### Feature

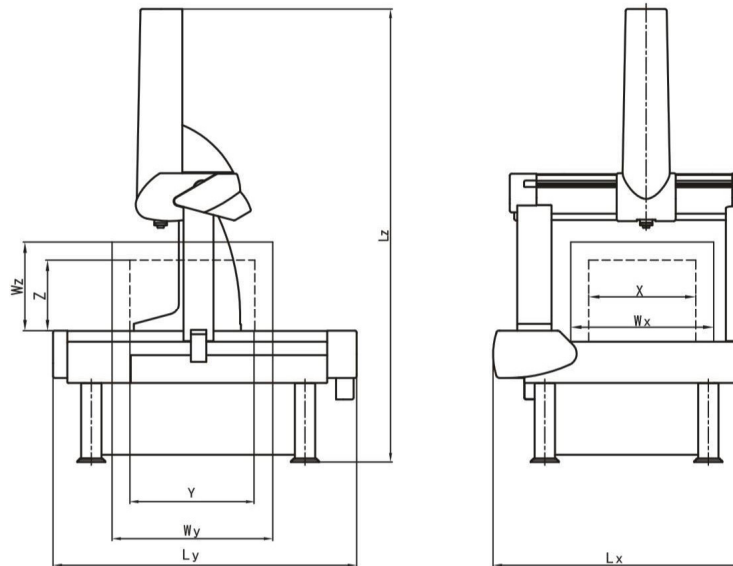
- All three axes are made of high performance granite, the 3 axis have same characteristic in temperature and rigidity.
- Advanced synchronous belt drive system with non-slip and high stiffness, ensures high stability, no noise.
- Transmission system uses high-power DC servo motor and new double level tape reducer to ensure rapid and accurate axes movement.
- Granite worktable with integral "dovetail" guide in Y axis, eliminate the pitch and yaw, also provides superior motion stability.
- High precise, high rigidity air bearings on all axes, can assure the guidance never be damped
- Good anti-aging out shape ability to assure the stability of accuracy
- Roomy worktable, convenient to fix and measuring parts
- Pneumatic system, Driver system, Control system are all world famous brand product.



### Strongpoint

Miracle series CMM is newly designed by Leader Company in 21 century which adopts all advantages of the CMM all over the world, it has best cost performance, satisfy inspecting of Middle or small parts, it has advantage of simple, rapid, efficiency and powerful function.

Miracle series CMM can be equipped with contact and non-contact probes system of Renishaw company. It can also be equipped with LS series high accuracy laser scanning probe, LV series high accuracy CCD video probe to realize rapid scanning of complicated parts (doing Reverse Engineering) and non contact measuring of small size parts.



MODEL	STROKES			MEASURING ACCURACY				OVERALL SIZE			WORK ENVELOPE			WEIGHT	PART WEIGHT
	行程范围			ISO10360-2:2001/GB/T16857.2-2006				主机外形尺寸			允许工件尺寸				
	X	Y	Z	TP20		TP200		Lx	Ly	Lz	Wx	Wy	Wz		
	mm	mm	mm	E (μm)	R (μm)	E (μm)	R (μm)	mm	mm	mm	mm	mm	mm	Kg	Kg
NC454	400	500	400	2.5+3.0L/1000	2.4	2.2+3.0L/1000	2.2	1250	1450	2350	600	700	500	1200	400
NC564	500	600	400	2.5+3.5L/1000	2.4	2.2+3.5L/1000	2.2	1350	1550	2350	700	800	500	1400	500
NC674	600	700	400	2.5+3.5L/1000	2.4	2.2+3.5L/1000	2.2	1450	1650	2350	800	900	500	1550	600
NC684	600	800	400	2.5+3.5L/1000	2.4	2.2+3.5L/1000	2.2	1450	1750	2350	800	1000	500	1700	700
NC6104	600	1000	400	2.5+3.5L/1000	2.4	2.2+3.5L/1000	2.2	1450	1950	2350	800	1200	500	1900	700
NC675	600	700	500	2.7+3.5L/1000	2.8	2.4+3.5L/1000	2.4	1450	1700	2550	800	900	600	1500	700
NC685	600	800	500	2.7+3.5L/1000	2.8	2.4+3.5L/1000	2.4	1450	1800	2550	800	1000	600	1600	700
NC6105	600	1000	500	2.7+3.5L/1000	2.8	2.4+3.5L/1000	2.4	1450	2000	2550	800	1200	600	1750	1000
NC787	700	800	700	2.9+4.0L/1000	3.0	2.8+4.0L/1000	2.8	1600	1950	3000	900	1000	800	2000	1000
NC7107	700	1000	700	2.9+4.0L/1000	3.0	2.8+4.0L/1000	2.8	1600	2150	3000	900	1200	800	2200	1000
NC8107	800	1000	700	2.9+4.0L/1000	3.0	2.8+4.0L/1000	2.8	1700	2150	3000	1000	1200	800	2400	1000
NC10128	1000	1200	800	3.5+4.0L/1000	3.2	3.0+4.0L/1000	3.0	1850	2400	3200	1200	1400	900	3000	1000
NC10158	1000	1500	800	3.5+4.0L/1000	3.2	3.0+4.0L/1000	3.0	1850	2700	3200	1200	1700	900	3300	1000

Power Voltage: 220V  
Air Pressure: 0.4-0.5Mpa  
Filter Accuracy: 0.3μm  
Air Supply: 0.12m³/min

Temperature Range: 18-22°C  
Hourly Temperature Cycle: 1°C/h  
Thermal Gradient: 1°C/m  
Relative Humidity: 55%-65%