

# Cruiser Series CMM

THE HIGH ACCURACY SOLUTION FOR BIG WORKPIECE INSPECTION

Cruiser series CMM is a big CNC CMM with high performance, by computer aided design, and by using finite element analysis, dynamic property analysis, full volumetric error compensation etc methods, we make newest generation CMM with good rigidity and stability.

Cruiser series CMM suit for accurate measuring in production field of big parts or metrology center; it can do parts measuring, shape measuring, reverse engineering, quality control etc tasks.

Cruiser series CMM use high trestle L shape structure, can both assure the stability, good drives and big measuring room. It has rapid measuring speed, little pitch and yaw to assure the high accuracy of CMM.

Cruiser series CMM' s guide way use flute profile section design, fixing air bearing according to close type static press guide way design, enlarging rigidity of gas envelope, improving the accuracy of Y axis guide way.

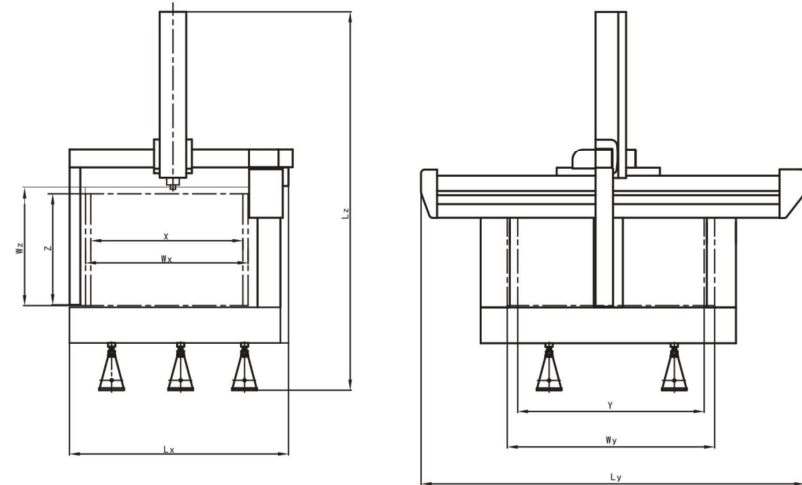
Cruiser series CMM' s worktable, 3 axis guide way and upright post are all granite, having good thermal stability, high rigidity, good staying quality, whole machine having good stability.

Cruiser series CMM can deploy Renishaw' s all series trigger probe and contact scanning probe and LS series laser scanning probe, high accuracy laser point scanning probe to realize quickly scanning of complicated parts (Reverse Engineering)



# Cruiser Sery

SPECIFICATIONS



MODEL	STROKES			MEASURING ACCURACY				OVERALL SIZE			WORK ENVELOPE			WEIGHT	PART WEIGHT
	行程范围			ISO10360-2:2001/GB/T16857.2-2006				主机外廓尺寸			允许工件尺寸				
	X	Y	Z	TP20		TP200		Lx	Ly	Lz	Wx	Wy	Wz		
	mm	mm	mm	E (μm)	R (μm)	E (μm)	R (μm)	mm	mm	mm	mm	mm	mm		
NCL9127	800	1200	700	2.9+4.0L/1000	2.9	2.8+4.0L/1000	2.9	1900	2900	3100	1100	1400	800	8800	3000
NCL10157	1000	1500	700	2.9+4.5L/1000	3.0	2.9+4.0L/1000	3.0	2000	3200	3100	1200	1700	800	9500	3000
NCL10207	1000	2000	700	2.9+4.5L/1000	3.0	2.9+4.0L/1000	3.0	2000	3700	3100	1200	2200	800	10500	3000
NCL10257	1000	2500	700	2.9+4.5L/1000	3.0	2.9+4.0L/1000	3.0	2000	4200	3100	1200	2700	800	11000	3000
NCL10158	1000	1500	800	2.9+4.5L/1000	3.0	2.9+4.0L/1000	3.0	2000	3200	3300	1200	1700	900	9500	3000
NCL101510	1000	1500	1000	3.2+5.0L/1000	3.5	2.9+4.0L/1000	3.0	2000	3200	3700	1200	1700	1100	10000	3000
NCL102010	1000	2000	1000	3.2+5.0L/1000	3.5	2.9+4.0L/1000	3.0	2000	3700	3700	1200	2200	1100	10800	3000
NCL102510	1000	2500	1000	3.2+5.0L/1000	3.5	2.9+4.0L/1000	3.0	2000	4200	3700	1200	2700	1000	11600	3000
NCL103010	1000	3000	1000	3.2+5.0L/1000	3.5	2.9+4.0L/1000	3.0	2000	4700	3700	1200	3200	1100	12800	3000
NCL12157	1200	1500	700	3.7+5.0L/1000	4.2	2.9+4.5L/1000	3.5	2200	3200	3100	1400	1700	800	10100	3000
NCL12207	1200	2000	700	3.7+5.0L/1000	4.2	2.9+4.5L/1000	3.5	2200	3700	3100	1400	2200	800	10600	3000
NCL12257	1200	2500	700	3.7+5.0L/1000	4.2	2.9+4.5L/1000	3.5	2200	4200	3100	1400	2700	800	12100	3000
NCL12307	1200	3000	700	3.7+5.0L/1000	4.2	2.9+4.5L/1000	3.5	2200	4700	3100	1400	3200	800	13400	3000
NCL121510	1200	1500	1000	3.7+5.5L/1000	4.7	2.9+4.5L/1000	3.5	2200	3200	3700	1400	1700	1100	10200	3000
NCL122010	1200	2000	1000	3.7+5.5L/1000	4.7	2.9+4.5L/1000	3.5	2200	3700	3700	1400	2200	1100	10700	3000
NCL122510	1200	2500	1000	3.7+5.5L/1000	4.7	2.9+4.5L/1000	3.5	2200	4200	3700	1400	2700	1100	11500	3000
NCL123010	1200	3000	1000	3.7+5.5L/1000	4.7	2.9+4.5L/1000	3.5	2200	4700	3700	1400	3200	1100	12700	3000
NCL151510	1500	1500	1000	4.7+6.0L/1000	5.2	3.9+5.0L/1000	4.0	2500	3200	3700	1700	1700	1100	12300	3000
NCL152010	1500	2000	1000	4.7+6.0L/1000	5.2	3.9+5.0L/1000	4.0	2500	3700	3700	1700	2700	1100	13500	3000
NCL152510	1500	2500	1000	4.7+6.0L/1000	5.2	3.9+5.0L/1000	4.0	2500	4200	3700	1700	3200	1100	15200	3000
NCL153010	1500	3000	1000	4.7+6.0L/1000	5.2	3.9+5.0L/1000	4.0	2500	4700	3700	1700	3200	1100	15200	3000
NCL152015	1500	2000	1500	5.0+6.0L/1000	5.5	4.5+5.0L/1000	4.5	2500	3700	4400	1700	2200	1600	13500	3000
NCL152515	1500	2500	1500	5.0+6.0L/1000	5.5	4.5+5.0L/1000	4.5	2500	4200	4400	1700	2700	1600	15200	3000
NCL153015	1500	3000	1500	5.0+6.0L/1000	5.5	4.5+5.0L/1000	4.5	2500	4700	4400	1700	3200	1600	15200	3000

Power Voltage: 220V  
Air Pressure: 0.4-0.5Mpa  
Filter Accuracy: 0.3μm  
Air Supply: 0.12m³/min

Temperature Range: 18-22°C  
Hourly Temperature Cycle: 1°C/h  
Thermal Gradient: 1°C/m  
Relative Humidity: 55%-65%